

MV-6

The way to Industry 4.0
MIRTEC

PCB Size Range (mm)		S	M
Single Stage Conveyor	Single Lane	-	50 x 50 - 510 x 510
	Dual Lane	-	50 x 50 - 510 x 300 (Dual) 50 x 50 - 510 x 590 (Single)
Triple Stage Conveyor	Single Lane	Standard	50 x 50 - 330 x 510
		Flipper	-
	Dual Lane	50 x 50 - 330 x 280 (Dual)	50 x 50 - 460 x 400

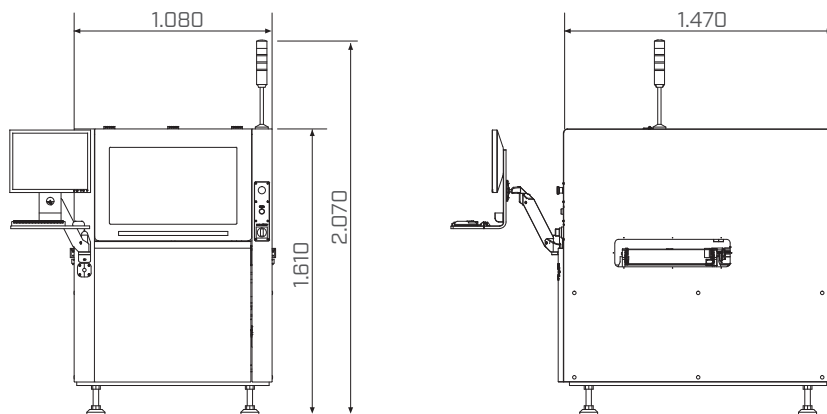
Inspection Technology	
Lens Configuration	Precision Telecentric Compound Lens
Lighting System	8 Phase Coaxial Color Lighting System

System Specification				
PCB Handling	Clearance	Top	45mm	
		Bottom	50mm	
	Thickness	Standard	0.5 - 5mm	0.5 - 5mm
		Flipper	-	1.5 - 2.6mm
	Weight	Standard	4kg	4kg
		Flipper	-	3kg
Software	Standard	Built-in SPC, Built-in Repair		
Power Requirements	Option	ePM-AOI, RMS, RRS, IRS, OLTT, Remote SPC, SPC Server System		
Air Requirements		Single Phase(s) 200-240V 50-60Hz, 1.1kw 5 Kgf / cm ² (0.5 MPa)		

Dimension(WxDxH) (mm)					
Machine Dimension (Total Width : Machine & Conveyor)	Single Stage Conveyor	Single Lane	-	1,080 x 1,470 x 1,610 (1,110)	
		Dual Lane	-	1,080 x 1,470 x 1,610 (1,110)	
	Triple Stage Conveyor	Single Lane	Standard	1,080 x 1,470 x 1,610 (1,270)	1,080 x 1,470 x 1,610 (1,630)
			Flipper	-	1,080 x 1,470 x 1,610 (1,550)
		Dual Lane	1,080 x 1,470 x 1,610 (1,110)	-	

Weight					
Weight	Single Stage Conveyor	Single Lane	-	Approx. 950kg	
		Dual Lane	-	Approx. 1,000kg	
	Triple Stage Conveyor	Single Lane	Standard	Approx. 950kg	Approx. 950kg
			Flipper	-	Approx. 950kg
		Dual Lane	Approx. 1,000kg	-	

※ We will not be responsible for any problems caused by using unverified BARCODE READER. Contact our HQ for the list of allowed BARCODE READER models to use.



• Data subject to change without notice.



MIRTEC GmbH [MIRTEC Germany]

Babenhäuser Str. 50/Geb. 5, 63762 Großostheim, Germany
TEL : +49 (0) 151 156 25572 MAIL : rgesero@mirtec.com